
User Manual

BC-LINK Router

BC-LINK Router, P/N 1501555



auto
MASKIN

Table of contents

1 Preface	3
1.1 About this Manual.....	3
1.2 Responsibilities	3
1.3 Revisions.....	3
2 Ordering Information	4
3 Product Overview	4
3.1 Cyber Security.....	4
3.1.1 Configuration to Comply	4
3.1.2 Inspect Configuration.....	4
3.1.3 Integration to Cyber Security Management System	5
3.1.3.1 Incident Recovery Plan	5
3.1.3.2 Backup & Recovery of System.....	5
4 Installation	6
4.1 SIM.....	6
4.2 Antennas.....	7
4.3 Mounting	8
4.3.1 Mounting Space Requirements.....	9
4.4 Communication	9
4.5 Power.....	9
5 Configuration	10
6 Indication	11
6.1 Power LED.....	11
6.2 Ethernet port LEDs.....	11
6.3 Connection status LEDs	12
6.4 Signal strength LEDs.....	12
7 Appendix A: Dimensions	14

1 Preface

1.1 About this Manual

This manual has been published primarily for professionals and qualified personnel. The user of this material is assumed to have basic knowledge of marine systems and must be able to carry out related electrical work.



Work on the low-voltage circuit should only be carried out by qualified and experienced personnel.

Installation or work on shore power equipment must be carried out only by electricians authorised to work on such installations.

Some images in this manual are from Teltonika.

1.2 Responsibilities



It is the sole responsibility of the installer to ensure that the installation work is carried out satisfactorily, that it is operationally in good order, that approved material and accessories are used, and that the installation meets all applicable rules and regulations.



Auto-Maskin continuously upgrades its products and reserves the right to make changes and improvements without prior notice.

All information in this manual is based on information at the time of printing. For updated information, please contact your local distributor.



The crossed-out wheeled bin symbol indicates that the item should be disposed of separately. The item should be handed in for recycling in accordance with local waste-disposal regulations.

By separating a marked item, you will help reduce the volume of waste sent to incinerators or landfills and minimise any potential negative impact on human health and the environment.

1.3 Revisions

User Manual revision: **January 2026**

2 Ordering Information

Auto-Maskin P/N: 1501555

The BC-LINK Router is a Teltonika device. Teltonika maintains full documentation; visit their website for further information if needed.

<https://www.teltonika-networks.com/>

Extra accessories, such as external antennas, are available if needed.

3 Product Overview

The BC-LINK Router is an industrial router enabling Internet access for an Ethernet network. The router is designed to operate in all markets globally.

The device comes pre-configured with the following settings

- LAN IP address: **192.168.0.1**
- Password: **Rut-241!**
- WAN port disabled
- WiFi disabled
- DHCP disabled
- RMS (Remote Management), SSH & CLI disabled

Should any other configuration be required, please see the Teltonika documentation for the RUT 241 device.

3.1 Cyber Security

This chapter describes the configuration required and any input to a potential Cyber Security Management System.

3.1.1 Configuration to Comply

- Change password to something which is not default

If Auto-Maskin preconfiguration is not used, the following should be changed as well.

- Disable RMS, SSH and CLI

3.1.2 Inspect Configuration

Using a web browser, browse to the device, log in, and verify the following

- Not default password
- RMS, SSH and CLI disabled

3.1.3 Integration to Cyber Security Management System

Each product configuration shall be backed up and the backups are to be stored in a safe place.

To ensure optimal performance, please verify on a regular basis if newer software is available for the products.

3.1.3.1 Incident Recovery Plan

Task	Action
Local Independent Control	None.
Network Isolation	Remove Ethernet cables from the device.
Extract Security Log	Connect a direct Ethernet cable from PC to device. Log in to the device using the web interface. Under System / Maintenance / Event Logs, download log files by pressing Export Logs .
Controlled Shutdown, Reset, Roll-back and Restart	It is safe to cut the power to the panels at any time. No Controlled Shutdown method is needed. See the recovery from backup section below on how to reset and roll-back.

3.1.3.2 Backup & Recovery of System

Backup	Log in to the device over the LAN port using a web browser.
	Under System / Maintenance / Backup, under Create Backup, press Download .
Restore	Optionally perform a Factory Reset by pressing the Reset button for 15 seconds.
	Log in to the device over the LAN port using a web browser.
	Under System / Maintenance / Backup, under Upload Backup, press Browse .

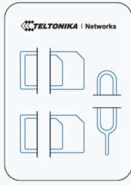
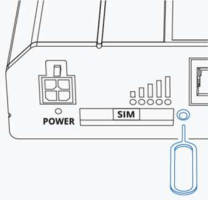
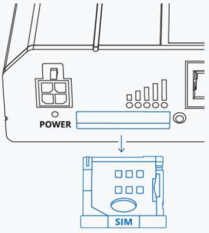
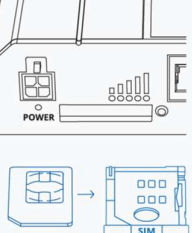
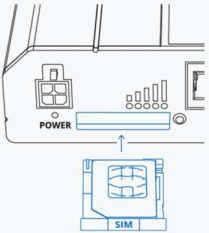
4 Installation

For installation, follow the instructions in this chapter.

4.1 SIM



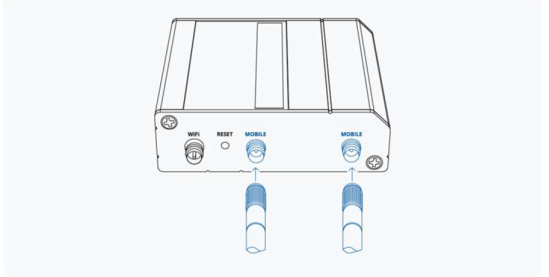
Make sure the data SIM card used does not have any PIN code enabled.

<p>1. Locate the SIM adapter kit.</p> 	<p>2. Push the SIM holder button with the SIM needle</p> 
<p>3. Pull out the SIM holder.</p> 	<p>4. Insert your SIM card into the SIM holder.</p> 
<p>5. Slide the SIM holder back into the router.</p> 	

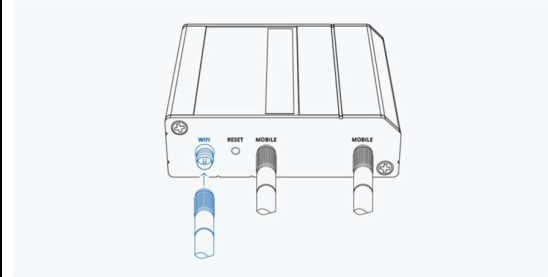
4.2 Antennas

Standard antennas are part of the package. Other types of antennas are available if needed.

Attach both MAIN and AUX antennas to connectors labelled "Mobile".



Optional: attach a WiFi antenna to the connector labelled "WiFi".

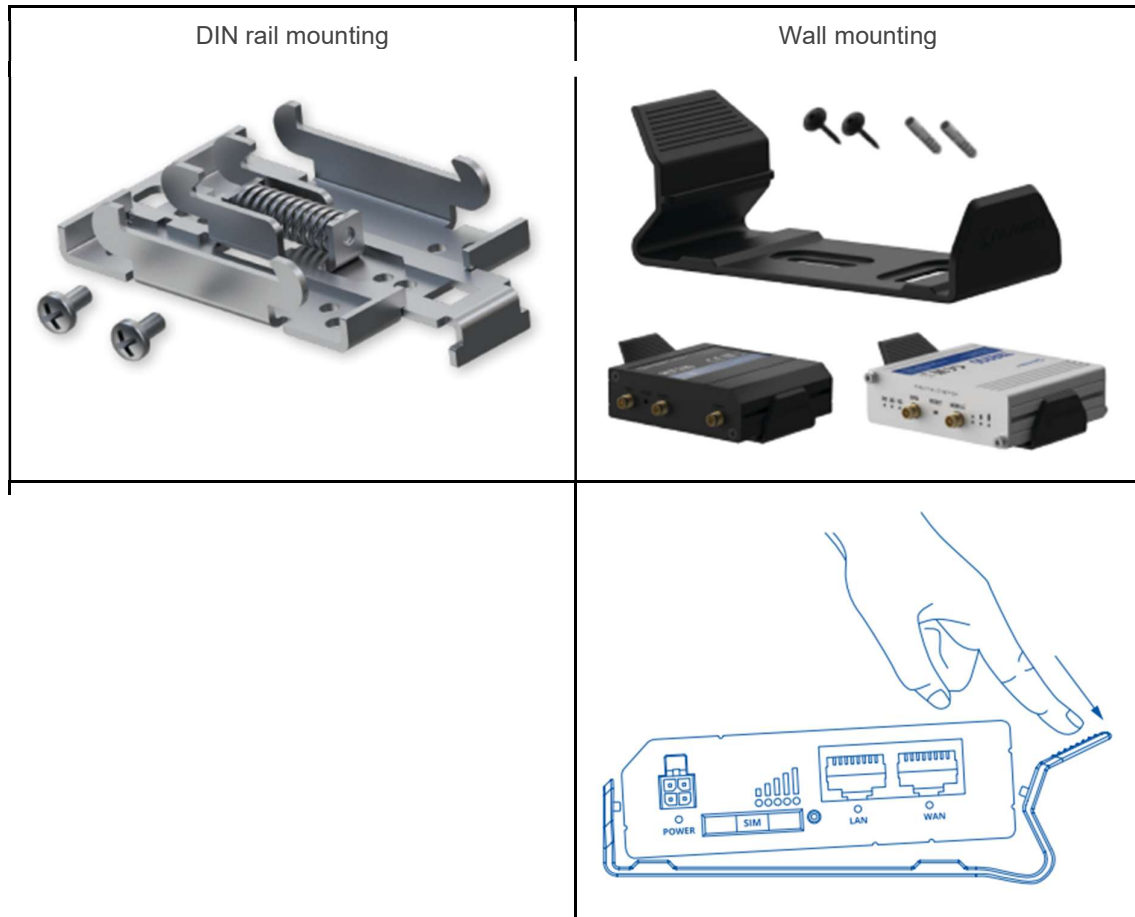


4.3 Mounting

Mount the BC-LINK Router in a location protected from moisture.

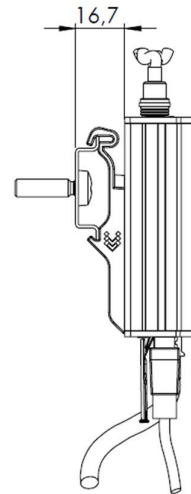
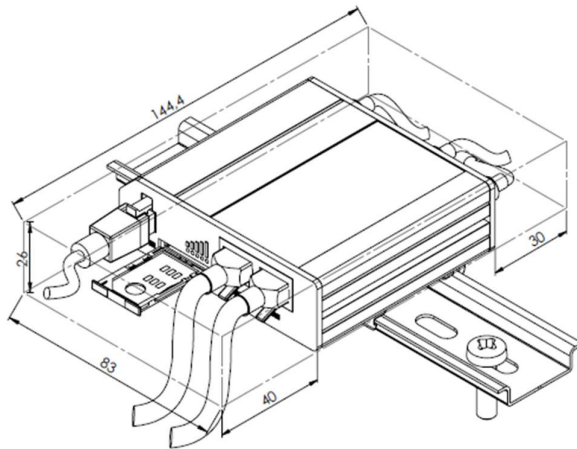
Two different methods of mounting are possible

1. DIN rail mounting
2. Wall mounting



4.3.1 Mounting Space Requirements

The figures below depict an approximation of the device's dimensions when cables and antennas are attached, and when mounted on a DIN rail.

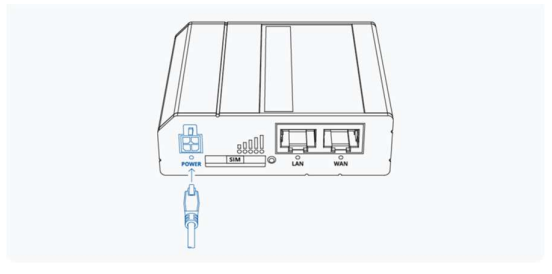


4.4 Communication

Attach the Ethernet cable to the device's LAN port.

4.5 Power

Connect the 4-pin connector to the power socket on the front of the device.



5 Configuration

The device comes pre-configured with the following settings

- LAN IP address: **192.168.0.1**
- Password: **Rut-241!**
- WAN port disabled
- WiFi disabled
- DHCP disabled
- RMS (Remote Management), SSH & CLI disabled

Should any other configuration be required, please see the Teltonika documentation for the RUT 241.

6 Indication

6.1 Power LED



The **power LED** is located on the bottom left corner of the front panel, just under the power connector

Power LED	Description
ON	The router is powered
OFF	The router is not powered

6.2 Ethernet port LEDs



The **Ethernet port LEDs** are located on the router's front panel, under each respective Ethernet port.

Ethernet LEDs	Description
ON	Operating as a 10/100 Mbps connection
OFF	No link established
Flashing	Connection established, and there is activity on this port (data being transferred)

6.3 Connection status LEDs



The **connection status LEDs** are located on the left side of the front panel, between the power connector and the signal strength indication LEDs.

Connection Status LEDs	Description
2G, 3G and 4G LEDs blinking every 1 second	No SIM or bad PIN
Blinking from 2G LED to 4G LED repeatedly	Attempting to connect to a mobile network operator
2G/3G/4G LED blinking every 1 sec	Connected to 2G/3G/4G, no data session established
2G/3G/4G LED turned on	Connected to 2G/3G/4G with data session
2G/3G/4G LED blinking rapidly	Connected to 2G/3G/4G with data session, and data is being transferred

6.4 Signal strength LEDs

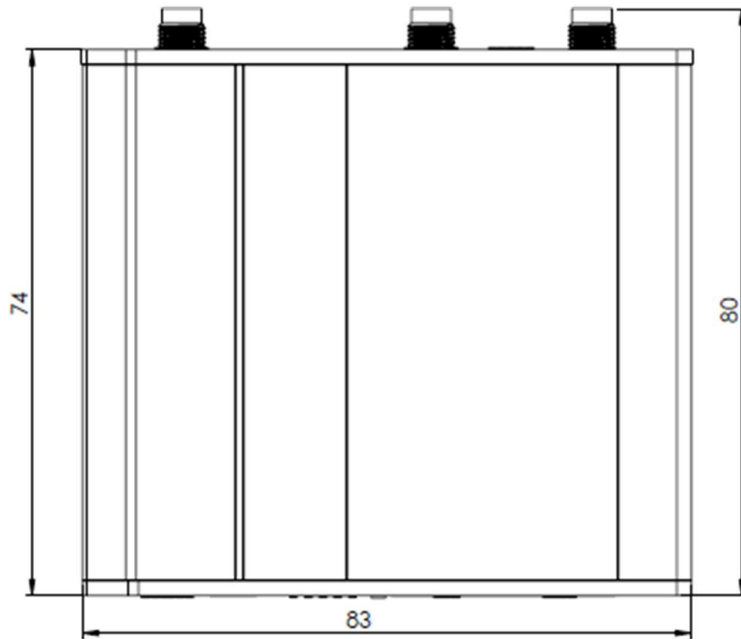


The **signal strength LEDs** are located in the centre of the front panel, to the right of the connection status LEDs.

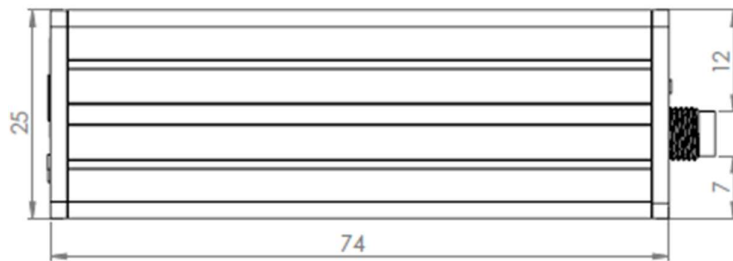
After the router powers up, all signal strength LEDs will flash for about 40 seconds, or until the router's modem registers on a network. After this, the LEDs will start displaying the router's current signal strength.

Number of lit LEDs	Signal Strength	Signal Quality
0	≤ -111 dBm	None
1	-110 dBm to -97 dBm	Weak
2	-96 dBm to -82 dBm	Fair
3	-81 dBm to -67 dBm	Good
4	-66 dBm to -52 dBm	Very good
5	≥ -51 dBm	Excellent

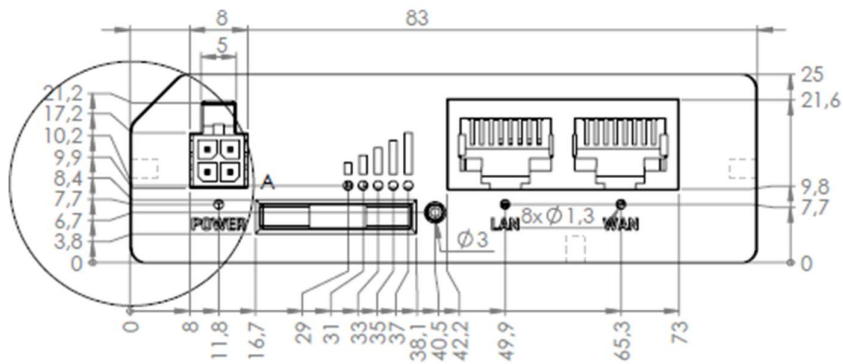
7 Appendix A: Dimensions



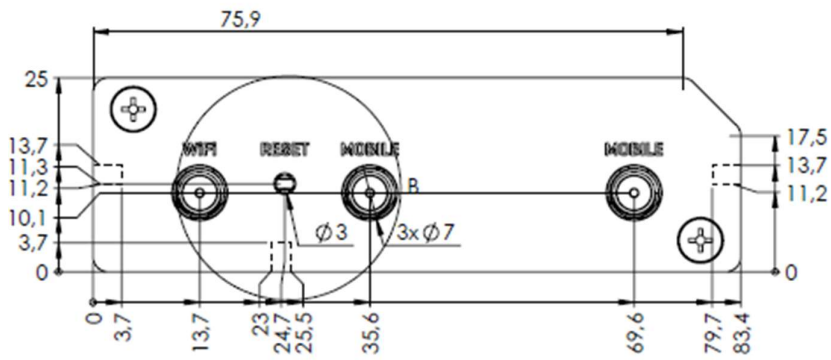
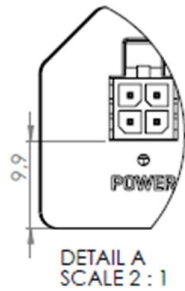
Top view



Right view



Front view



Rear view

