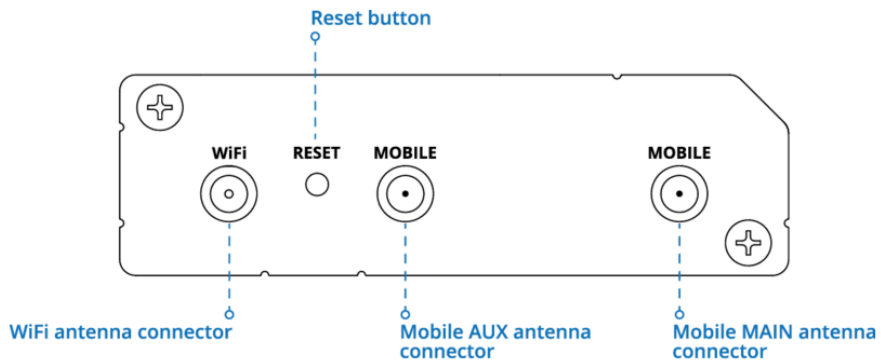
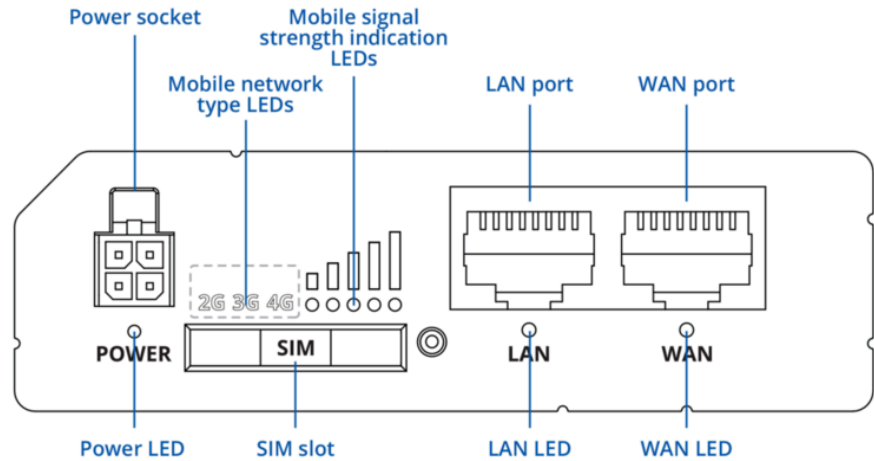


Connectors



auto
MASKIN

Managing
Energy

Quick Installation Guide

BC-LINK Router

P/N 1501555



Package checklist

1. BC-LINK Router
2. Power Cable
3. DIN Rail Kit
4. Surface Clip Holding Kit
5. Quick Installation Guide

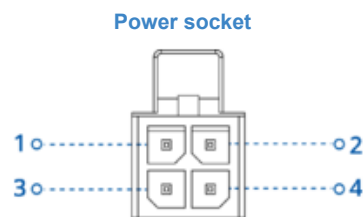
Specifications

	Min	Typ	Max	Unit
Power Supply	9	24	30	V
Power Consumption	-	-	6.5	W
Size	-	83 x 25 x 74	-	mm
Weight	-	130	-	g

Installation

1. Use the **DIN Rail Kit** or **Surface Mount Kit** to mount the device
2. Insert the SIM card in the **SIM** slot
3. Insert the Ethernet cable in the **LAN** port
4. Attach **MOBILE** antennas x 2
5. Connect **POWER**

Pin	Description	Wire Color
1	Power	Red
2	Ground	Black
3	N/A	Green
4	N/A	White



⚠ Caution! Handle with care when installing the device.

Configuration

The **BC-LINK Router** is preconfigured to

- LAN IP address: **192.168.0.1**
- Default password: **Rut-241!**
- WAN port disabled
- WiFi disabled
- DHCP disabled
- RMS (Remote Management), SSH & CLI disabled

Should any other configuration be required, please see the Teltonika documentation for the RUT 241.

For further information, please visit the Auto-Maskin website.



auto-maskin.com

Auto-Maskin continuously upgrades its products and reserves the right to make changes and improvements without prior notice.