

What's in the Box?

1. SDU 420 in an ESD bag
2. Bag with 1 resistor (120 Ω)
3. Bag with 28 resistors (10 kΩ)
4. This Quick Installation Guide



Caution!

Handle with care when opening the bag and installing the unit.

User Interface Basics

The SDU is designed to work in conjunction with a DCU. Most of the configuration and information will be managed through the DCU. Below is a short description of the indicators and buttons on the unit itself.

Power Indicator

Lit: Power Supply OK
Flashing: Power below threshold.



Status Indicators

Lit or flashing in different colors according to status as indicated. Further details see Users' Manual.



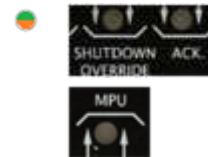
Switch/Analog Input Indicators

Flashing: Unacknowledged
Lit: Acknowledged



Other Input Indicators

Lit Green: When Active
Flashing: Unacknowledged
Lit Amber: Fault Acknowledged



Acknowledge Button

Shutdowns, load reductions and faults are acknowledged by pressing the Acknowledge Button.



Overspeed Test Button

Test mode to initiate Shutdown at 95% of Nominal setpoint



More Information

For the latest updated information, please contact your local distributor or visit the Marine Watch section of the Auto-Maskin website.



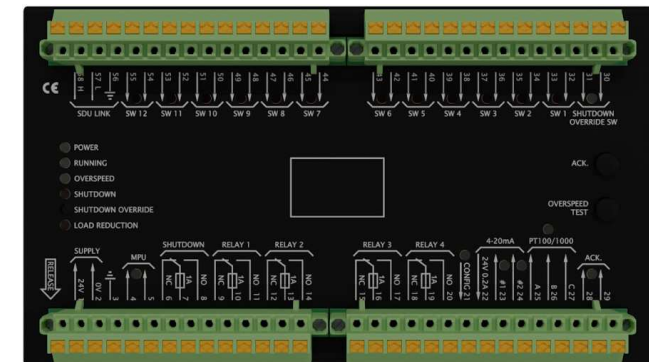
Marine Pro
400 Series

Quick Installation Guide

SDU 420

P/N 1500158

Safety Shutdown Unit



Highlights

- 12 channels for switch inputs
- 3 channels for analog inputs (2 x 4-20 mA and 1 PT100)
- 1 pickup channel
- Wire break detection with LED indication
- Overspeed test function
- Local acknowledge/reset button
- DIN rail mounting

Specifications

Measurements

Section	Width	Height	Depth	Unit
Size	185	105	48	mm

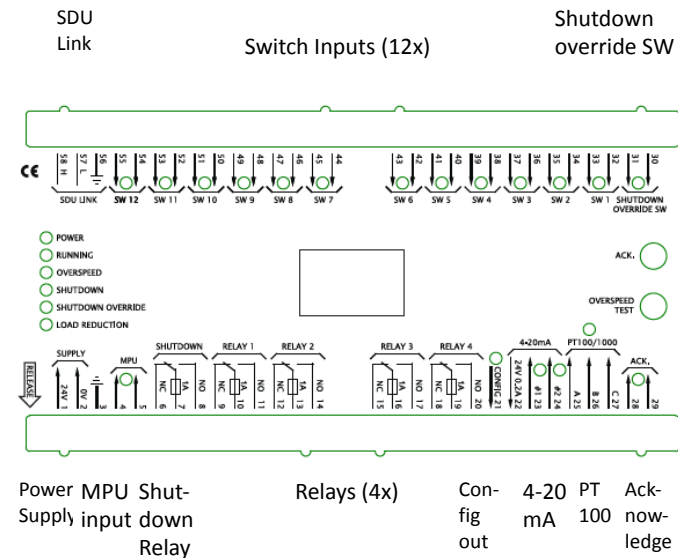
Depth including the connectors.

Power Ratings

Section	Min.	Typ.	Max.	Unit
Power Supply	18	24	32	VDC
	-	0.2	0.4 ¹	A

¹ Excluding configurable output

Connector Terminals



Installation

1. Remove the unit from the ESD Bag and mount it on a DIN rail.
2. Attach the Power Supply and make sure the power ratings are within product specifications.
3. Connect additional external wires according to the specification related to the installation. This may include the following:
 - Pickup Input
 - Shutdown output and additional external relays
 - Acknowledge and Shutdown Override inputs
 - Switch Inputs with wire break resistors (10 k Ω) if required
 - SDU Link with termination (120 Ω)
4. As a final stage and check of the installation - Press and hold the ‘Overspeed Test’ button to enter overspeed test mode until the ‘Overspeed’ status LED starts flashing.

See the Installation Manual for further information.

Note

Auto-Maskin continuously upgrades its products and reserves the right to make changes and improvements without prior notice.

Configuration

The SDU is designed to be used in conjunction with a Marine Pro DCU via the two-wire DCU/SDU link.

The way of configuring the SDU is to login to the DCU via the web interface and then enter the SDU section.

The following functions are configurable:

- Switch / analog channel usage
- Switch channels for loop monitoring and short circuit detection
- Action on Event (Shutdown/Load Reduction/Run Only)
- Time Delay (Shutdown/Load Reduction/Initial)
- Overspeed warning setpoint
- Input voltage setpoints
- Outputs/Relays on events

For further details and information, please see the 400E Series Configuration Manual.

Responsibilities

It is the sole responsibility of the installer to ensure that the installation work is carried out in a satisfactory manner and meet all applicable rules and regulations.

Additional Documentation

Please visit the Auto-Maskin website <http://www.auto-maskin.com> for additional documentation.