



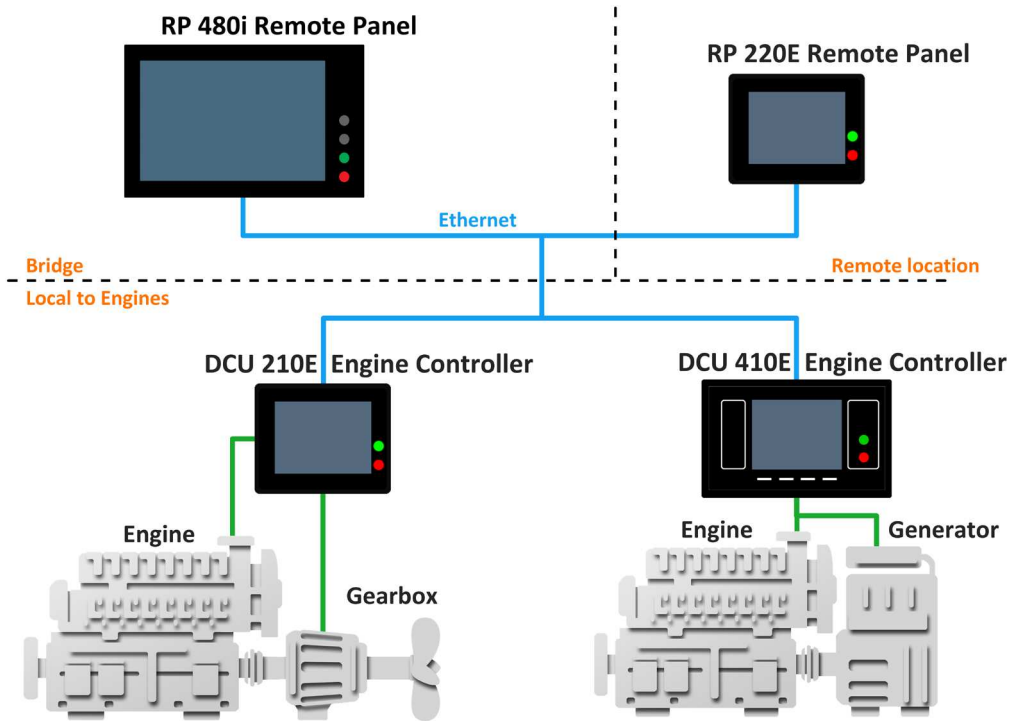
Why customers select the RP 480i

- Simple and cost-effective installation with low technical risk
- Clear accurate data provides safe decision making by the crew
- No special programming for vessel customisation
- Integrates with all existing Marine Pro installations
- Global product with multiple languages built in improves crew retention and safe operation

At a glance

- Truly self-configuring
- 12" touch screen with swipe support
- Smartphone and tablet integration
- User-defined graphical interface
- Durable "glass" helm design
- Multipanel filtered alarm list
- Control and monitor 1 - 8 Marine Pro engine controllers
- Automatic ambient light and night mode functions





Example of use in a typical system



12" colour
high-resolution
screen

Clear precise
information aids safe
decision-making

Glove capable

Night modes for bridge
operation

Flexible graphics



Flexible I/O

Ease of vessel
integration

Easy installation
reduces cost

Multiple databuses allows
increased information
integration



Ethernet
connectivity

Risk-free installation

No programming reduces
on-site skill sets

Easy upgradeability or
expansion

Global standard



Future enabled

Smartphone integration
for security,
accountability etc

NFC tag enabled

Proximity and ambient
light sensor

No special software
or tools

Ordering info

Item	Part number
RP 480i Remote Panel	1500061
RP 220E Remote Panel	1006472
DCU 410E Engine Controller	1006445
DCU 210E Engine Controller	1006451

Sales EMEA and Asia

Phone: (+47) 64 84 52 00
Email: sales@auto-maskin.com

Sales North and South America

Phone: +1 (832) 738-1024
Email: sales.us@auto-maskin.com

Managing Energy

www.auto-maskin.com