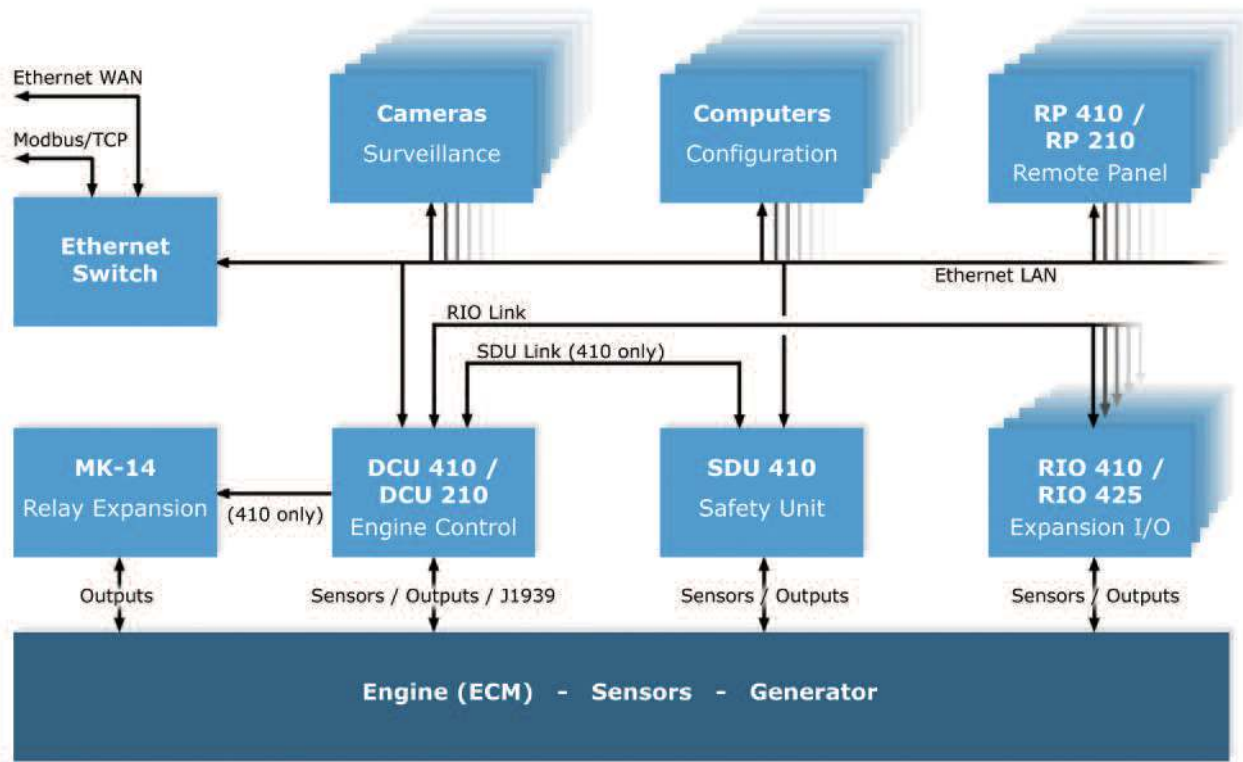


At a glance

- 4 channels for Configurable switch inputs
- 9 channels configurable for 4-20mA Inputs
- 8 channels configurable for PT100 Inputs
- 2 channels configurable for K type thermocouples
- 1 channel configurable for 0-5V input
- 2 Configurable 24V outputs
- 2 Configurable relay outputs
- Provision for single 24v power supply

Why customers select the RIO 410

- Provides flexibility to integrate differing applications into a standard package
- Connects to DCU via simple two wire twisted pair
- Can be placed close to sensors to reduce complex wiring runs
- “Plug and Play” when linked to a DCU
- Class Approved
- No on site configuring required
- No dedicated software or cables required
- Simple installation and commissioning
- Expandable with up to 4 units in series
- IACS certified



Features and Benefits

Multiple inputs provides critical flexibility

- 24 channels for sensor inputs of multiple types
- Each channel is configurable or can be pre configured prior to installation
- Each Channel can have variable set points linked to speed

Ease of Installation

- Install close to sensors to minimize complex wiring
- Two wire Modbus connectivity to DCU
- DIN rail mounted in standard enclosures
- No special tools to connect
- Only software required is a web browser

Self or User Configurable

- Automatically configured from DCU
- Each Channel can be named / customized
- Password protected areas available
- Only software required is an internet browser

Expandable

- Each DCU can support up to 4 RIO's
- Small Vessel or Engine only capable
- Stand alone capability for use outside of Marine pro system

Technical and Production

Auto-Maskin AS
 Hvamsvingen 22
 NO-2013 SKJETTEN, Norway
 Tel.: +47 64 84 52 00
 E-mail: office@auto-maskin.com
 Web: www.auto-maskin.com

Ordering Info

Item	Part Number
DCU 410	1006450
DCU 408	1006455
SDU 410	1006451
RIO 410	1006453
RIO 425	1006457