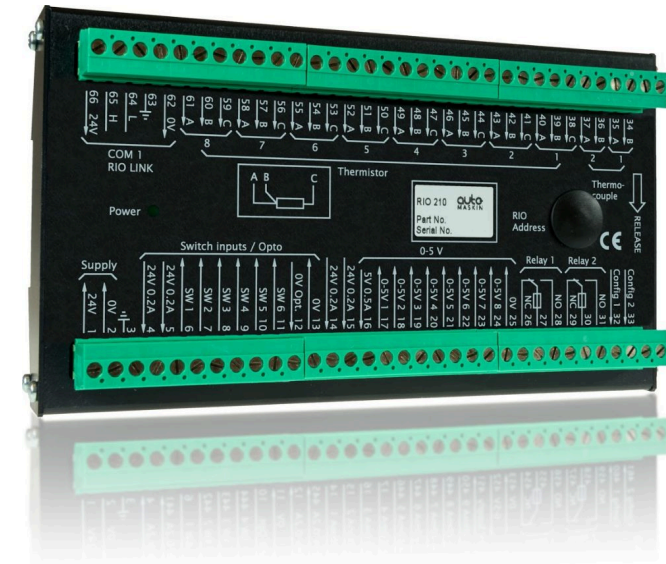


Quick Installation Guide

RIO 210

P/N 1006462



Highlights

- 6 x Switch Inputs
- 8 x 0-5 V Inputs
- 8 x PT100 / Thermistor Inputs
- 2 x K type Thermocouple Inputs
- 2 x 24 V Outputs
- 2 x Relay Outputs
- Plug and Play with Auto-Maskin DCUs
- Simple installation

What's in the Box?

1. RIO 210 in an ESD bag
2. Bag with 1 resistor (120 Ω)
3. This Quick Installation Guide



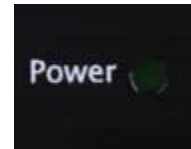
Caution!

Handle with care when opening the bag and installing the unit.

User Interface Basics

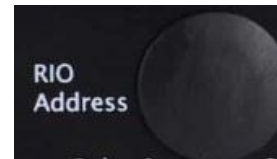
Power LED

The Power LED is lit when the unit has power. The LED will flash if the voltage drops below 21 V.



RIO Address

DIP switches must be set to off (00), which is the default setting.



More Information

For the latest updated information, please contact your local distributor or visit the Marine Watch section of the Auto-Maskin website.

Specifications

Measurements

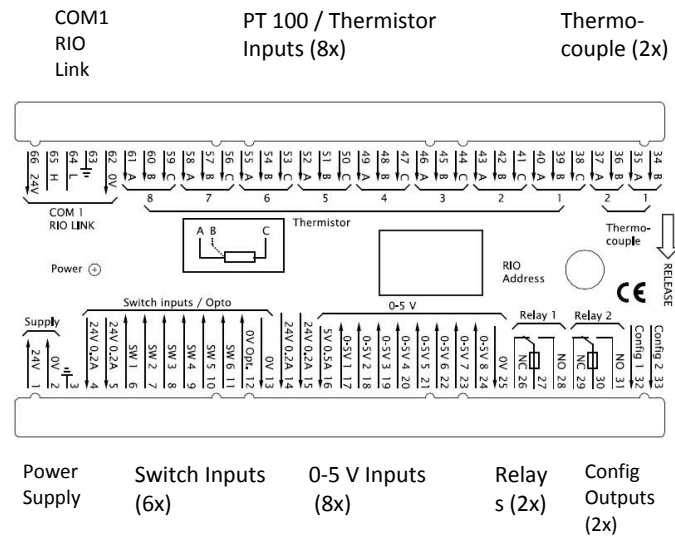
Section	Width	Height	Depth	Unit
Size	185	105	45	mm

Depth including the connectors.

Power Ratings

Section	Min.	Typ.	Max.	Unit
Power	18	24	32	VDC
Supply	-	0.2	2.5	A

Connector Terminals



Responsibilities

It is the sole responsibility of the installer to ensure that the installation work is carried out in a satisfactory manner and meet all applicable rules and regulations.

Installation

1. Remove the unit from the ESD bag.
2. Attach the Power Supply (terminal 1-3) and make sure the power ratings are within product specifications.
3. Attach desired I/O to connectors.
4. Wire the unit to the DCU at COM1 and terminate the communication link as instructed in the Installation Manual.

See the **RIO 410 / RIO 210 Installation Manual** for further information.

Note

Auto-Maskin continuously upgrades its products and reserves the right to make changes and improvements without prior notice.

Configuration

The RIO 210 is designed to expand the I/O capabilities for the Auto-Maskin DCUs (400 Series and 200 Series).

Configuration of the RIO I/O must be performed using the DCU web interface.

For more information, please see the **DCU Configuration Manual**.

Additional Documentation

Please visit the Auto-Maskin website <http://www.auto-maskin.com> for additional documentation.