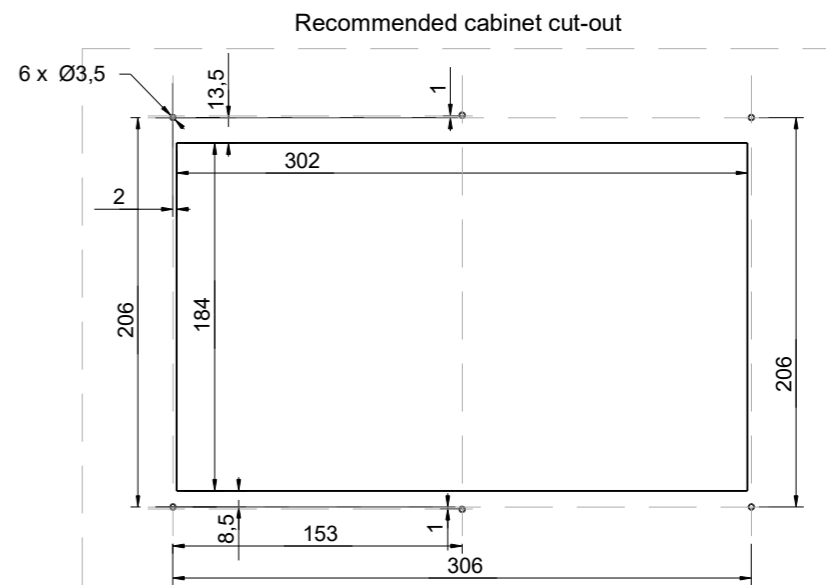
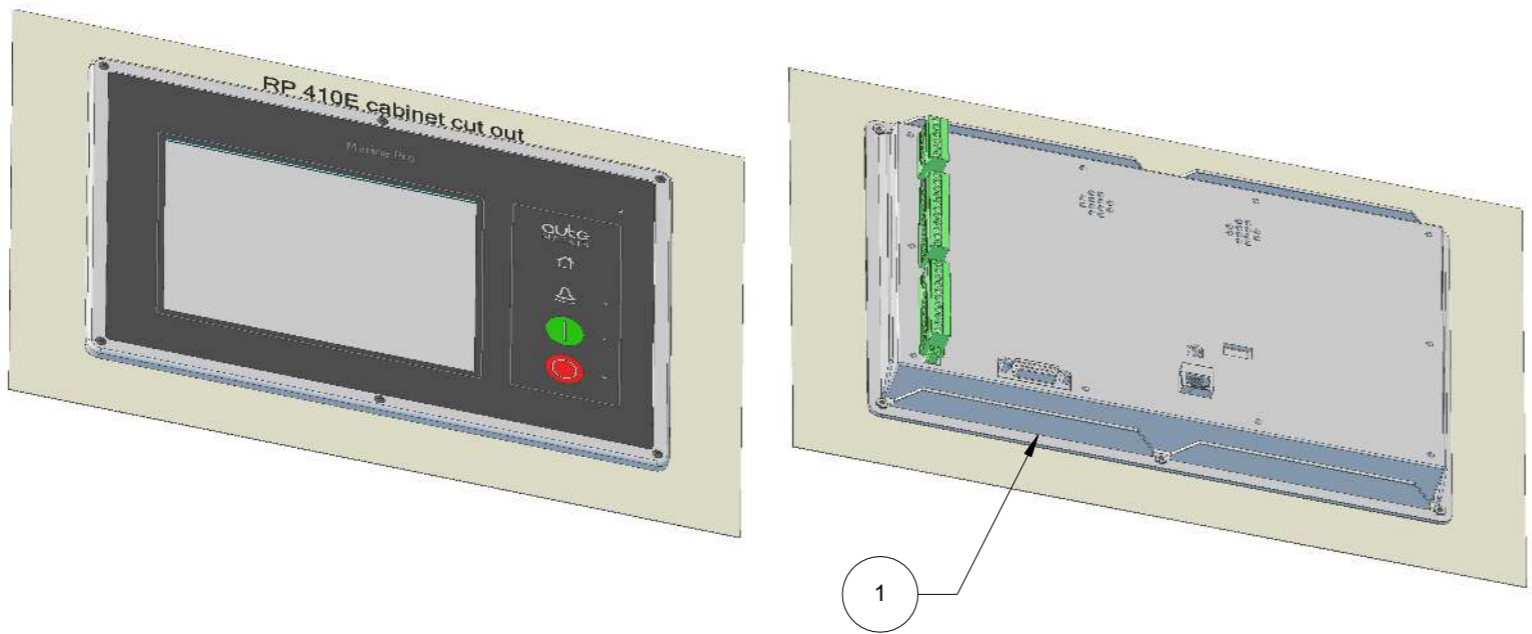
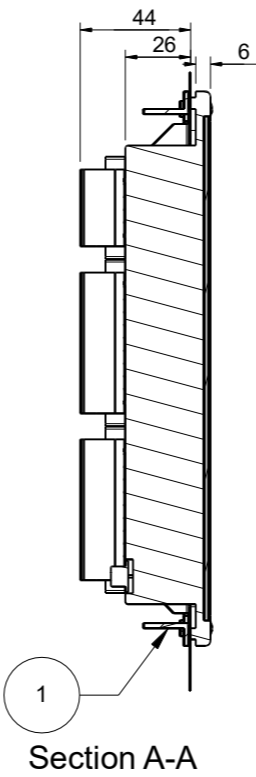
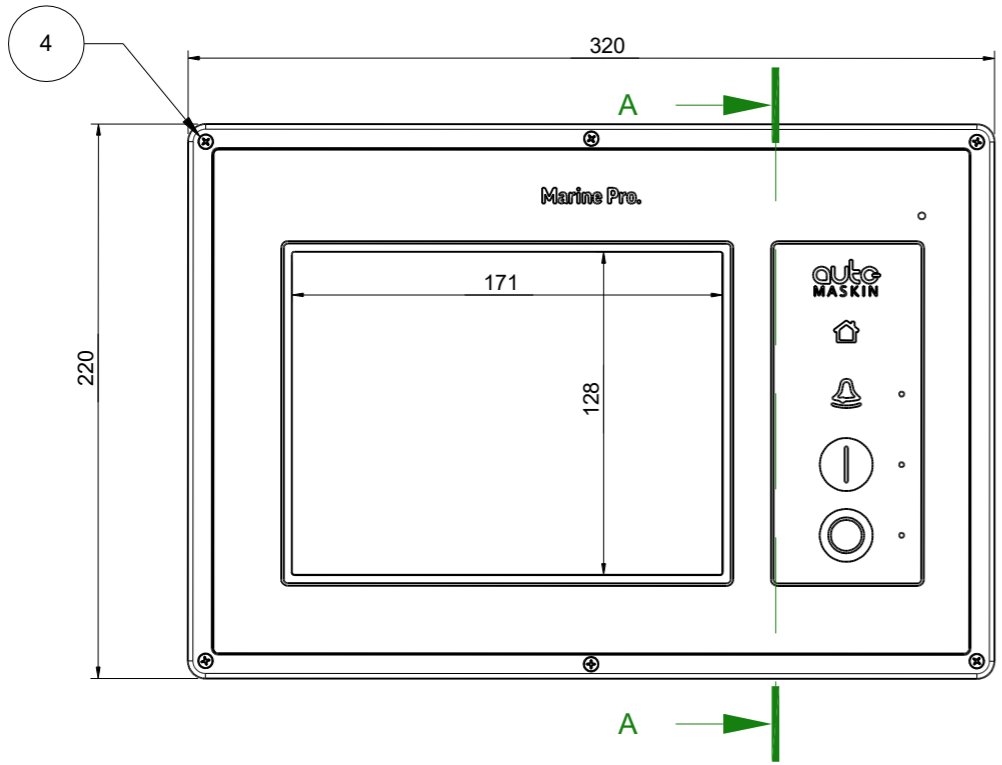


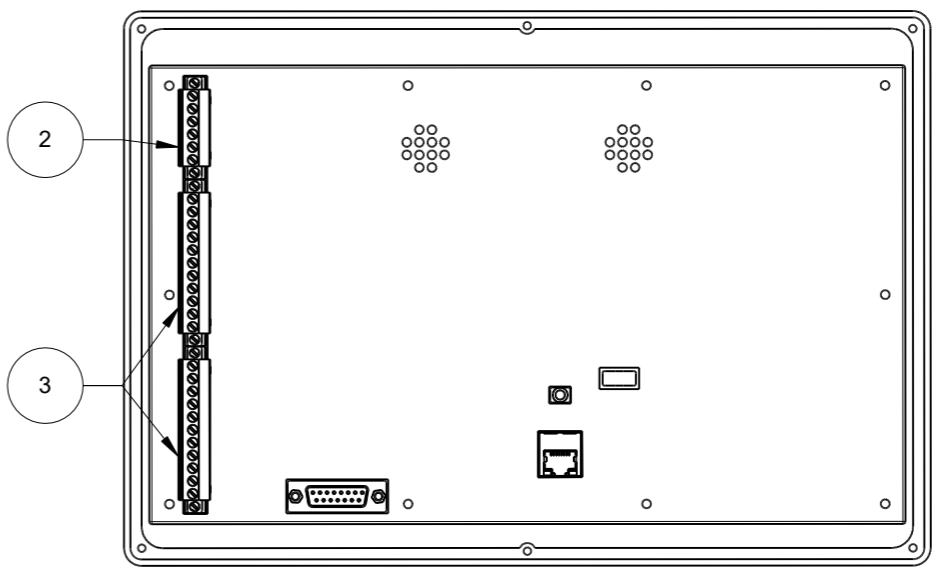
Revision	Note	Date	Revised	Checked
C	Added parts list and recommended cabinet cut-out	2016-10-25	A.Miks	A.Larsson
D	Fixed gasket measurement error	2018-02-11	MB	



SCALE 1:4



Section A-A



Note: Mounting frame not shown

Spare parts

Item#	Qty	Description	AM P/N
1	2	Mounting Frame	1100411
2	1	Phoenix Contact MVSTBW 2.5/ 6-STF-5.08	1100475
3	2	Phoenix Contact MVSTBW 2.5/ 11-STF-5.08	1100440
4	6	Mounting screw	1140028

Drawn by M. Beischer	Checked by	Approved by - date	-	Date 2018-02-11	Scale 1:3 (A3)
Unless otherwise stated: All units in millimeters All tolerances ± 1 mm			RP 410E		
Drawing number 1912-HMP548/1				Revision D	Sheet 1/1